



10PC MINI AIR BRUSH KIT GRAVITY/SUCTION FEED

MODEL NO: **AB936**

Thank you for purchasing a Sealey product. Manufactured to a high standard, this product will, if used according to these instructions, and properly maintained, give you years of trouble free performance.

IMPORTANT: PLEASE READ THESE INSTRUCTIONS CAREFULLY. NOTE THE SAFE OPERATIONAL REQUIREMENTS, WARNINGS & CAUTIONS. USE THE PRODUCT CORRECTLY AND WITH CARE FOR THE PURPOSE FOR WHICH IT IS INTENDED. FAILURE TO DO SO MAY CAUSE DAMAGE AND/OR PERSONAL INJURY AND WILL INVALIDATE THE WARRANTY. KEEP THESE INSTRUCTIONS SAFE FOR FUTURE USE.



Refer to Instruction Manual



Wear Eye Protection



Wear a Mask



Wear Protective Gloves

1. SAFETY

- WARNING!** Ensure that Health and Safety, local authority and general workshop practice regulations are adhered to when using tools.
- WARNING!** Air brushes produce a fine mist of paint and solvents which may be harmful by inhalation. Always wear suitable protective breathing equipment which can be obtained from your local Sealey stockist. For a better understanding of the risks involved with any particular paint or solvent read the warnings on the containers and follow the advice given.
- WARNING!** Also take measures to protect the eyes and skin from contact with paint and solvents. A full range of personal safety equipment is available from your Sealey stockist.
- DO NOT** operate the air brush near other people unless they are wearing the same protective equipment.
- DO NOT** eat or drink when using the air brush.
- DO NOT** allow smoking or open flame in the work area.
- Ensure that the air brush and accessories are in a clean, sound condition and good working order. Take action for immediate repair or replacement of damaged parts. Use recommended parts only. The use of unauthorised parts may be dangerous and will invalidate the warranty.
- Ensure the air brush supply hose is not tangled, twisted or pinched.
- DO NOT** use air brush or accessories if damaged.
- DO NOT** operate air brush while under the influence of drugs, alcohol or intoxicating medication, or if fatigued.
- DO NOT** direct spray against yourself, other persons or animals or electrical equipment.
- DO NOT** use the air brush for a task it is not designed to perform.
- Always ensure adequate ventilation in the work area.
- Always disconnect from the air supply before dismantling the air brush for cleaning and maintenance.
- DO NOT** leave the air brush connected to the air supply when unattended.

2. INTRODUCTION

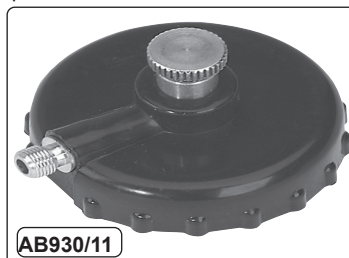
Comprehensive mini air brush kit, including suction and gravity feed pots. Designed for detailed application. Double-action trigger providing precision control of paint flow. Supplied in storage case.

3. SPECIFICATION

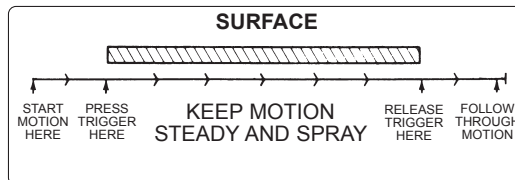
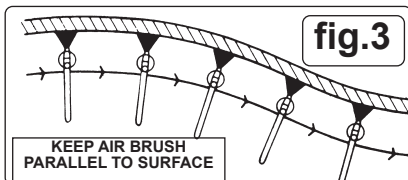
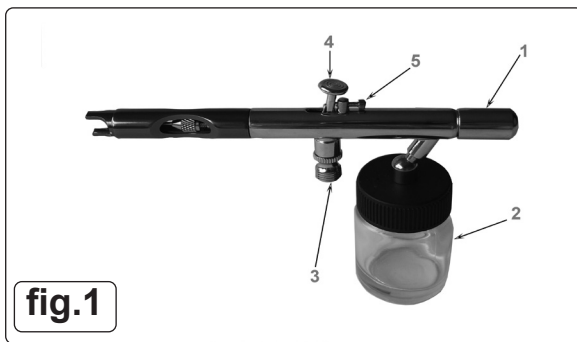
Model No:..... AB936
 Cup Capacity:7, 9, 22cc
 Nozzle Sizes: 0.2, 0.3, 0.4, 0.5mm
 Working Pressure:..... 15-50psi

4. ASSEMBLY

- 4.1. Fit the jar cover with nozzle into the body of the air brush as shown in (fig.1 2) Twist firmly into place.
- 4.2. Screw one end of the air hose (not supplied) onto the air hose connection (fig.1.3 underneath the air brush trigger and the other end onto the air supply.
- 4.3. To use a propellant can (Sealey Part No: AB/P) a regulator valve/cap (Sealey Part No: AB930/11) should be purchased.
- 4.4. To use a compressor such as the Sealey Model No: AB900 use the adaptor supplied with the compressor to connect the air hose (not supplied)
- 4.5. To use the air brush with other types of compressors NOTE: The maximum air supply to the air brush should never exceed 50psi. Normal operating pressure is approx 30psi.



5. OPERATION



- 5.1. Mask the area which is NOT to be painted.
- 5.2. Ensure the object to be painted is free from dust, grease and the surface has been prepared.
- 5.3. After mixing and thinning the paint, as instructed by the paint manufacturer, fill the paint jar (fig.1.2) just over half full. Note: Mix thoroughly, making sure that the paint is free from lumps. It may be necessary to strain the paint first.
- 5.4. Remove the nozzle end cap. (fig1.1) No nozzle end cap fitted (fig2.1).
- 5.5. Turn the air ON and test your spray on a test panel to get the "feel" of your air brush.
- 5.6. Make any necessary spray adjustments. The paint spray pattern can be adjusted by turning the fixing nut, located at the nozzle. The nut is fully closed, when it has been turned clockwise to the stop point. The volume of paint dispensed can be adjusted by varying the backward movement of the trigger (fig.1.4). This can be pre-set using the micro adjust screw (fig.1.5).
- 5.7. Holding the air brush about 6 inches from the surface press the trigger (fig.1.4) down. Using short strokes, move the air brush at a steady rate, parallel to the surface, (fig.3.)
- 5.8. Apply a light coat of paint, let it dry, then apply another coat. Continue with this method until the desired coverage is reached. **DO NOT** spray too heavily. Note: When using quick drying paints, it is advisable to clean or immerse the fluid end of the air brush in a compatible solvent between sprays.
- 5.9. Once you are satisfied with the results of your test pieces and have made any necessary adjustments to the air brush, continue with the task to be performed. Best results are achieved with a good constant motion. Start the motion before pressing the trigger and follow a through motion after releasing the trigger, (fig.4.)

6. CLEANING & MAINTENANCE

- 6.1. Note: To achieve the best results when spraying it is always best to start with the air brush clean and totally free from old paint deposits, dirt etc. Therefore the air brush should be thoroughly cleaned immediately after each operation.
- 6.2. Remove the empty paint container, wipe the inside thoroughly, including the lid.
 - 6.2.1. Fill the container half full of a compatible solvent and re-attach to the air brush.
 - 6.2.2. Spray into a suitable container, this will clean the needle and nozzle assembly. Hold a soft cloth over the fixing nut and spray again, this will force air and the compatible solvent back through the air brush and clean the internal moving parts.
- 6.3. Should the air brush become clogged with paint, dismantle the air brush and clean the component parts as follows:
 - 6.3.1. Turn off the air and disconnect the air hose from the air brush.
 - ❑ **WARNING!** The fluid needle has a long sharp point and great care should be exercised when handling it.
 - 6.3.2. Unscrew the back casing from the main body of the air brush and slide it off.
 - 6.3.3. Unscrew the needle fixing screw and slide it off the needle. Carefully withdraw the fluid needle and place it somewhere safe to avoid bending it or damaging the sharp point.
 - 6.3.4. Unscrew the fixing nut from the front of the air brush.
 - 6.3.5. Loosen the nozzle assembly with the wrench provided and unscrew it. If the nozzle needs to be soaked in solvent remove the 'O' ring as it may be damaged by the solvent.
 - 6.3.6. Unscrew the needle guide assembly from the rear of the air brush body. Test the action of the sprung plunger. If this operates smoothly no further disassembly is required.
 - 6.3.7. The trigger and curved lever will now be loose in the body and should be removed.
 - 6.3.8. Any components with dried paint on them should be cleaned with a solvent suitable for the paint last used and may need to be soaked for a while before the paint will come off. Take great care not to bend the needle when cleaning it and avoid the sharp point.
- 6.4. Reassemble the cleaned air brush as follows:
 - 6.4.1. Replace 'O' ring onto the nozzle assembly and screw nozzle into place on body. **DO NOT** over tighten as this may restrict the effectiveness of the spray pattern.
 - 6.4.2. Position the trigger into the opening in the top of the air brush so that it sits on top of the air valve. The slot in the stem of the trigger should be orientated to allow the needle to pass through it when the needle is reinserted.
 - 6.4.3. Insert the curved lever into the rear opening of the air brush body such that the convex face of the upper section rests against the trigger.
 - 6.4.4. Screw the needle guide assembly into the back of the air brush until it makes contact with the curved lever. Continue to screw it in until the trigger moves forwards and makes contact with the air adjustment screw.
 - 6.4.5. Carefully insert the needle into the needle guide assembly and push it through until the needle tip just emerges from the nozzle assembly. **DO NOT** force it into position but allow the needle to 'rest' in place.
 - 6.4.6. Slide the needle fixing screw over the end of the needle and screw it into the rear of the needle guide assembly.
 - 6.4.7. Test the action of the trigger to ensure that the needle withdraws smoothly into the nozzle as the trigger is pulled back.
 - 6.4.8. Screw the fixing nut onto the nozzle. **DO NOT** do it up too tightly. Screw the back casing onto the back of the air brush body.

7. TROUBLESHOOTING

PROBLEM	CAUSE	SOLUTION
Paint Runs.	Too much paint applied. Moving air brush too slowly along work piece.	Press trigger lightly. Move at a faster speed.
Grainy Spray.	Paint too thick. Dried paint deposits on tip, needle or regulator.	Thin paint. Clean air brush, as described above.
Paint Splattering.	Needle snapping back into tip.	Release needle gently.
Curved Stroke.	Air brush not being kept parallel to work.	Keep air brush parallel to the work, unless curved stroke is desired.
Paint Spitting.	Needle snapping back into tip. Paint too thick.	Release needle gently. Thin paint.
Restricted Spray.	Air adjusting valve screwed in too tight. Paint tube in pot clogged.	Loosen the air adjusting valve to obtain the correct spray. Clean as described above.
Bubbles in Paint Cup.	Air adjusting valve out too far. Paint tube in pot clogged.	Adjust air valve to eliminate bubbles. Clean as described above.
Erratic Spray.	Fluid needle bent or paint deposits on needle.	Replace needle or clean as required.



ENVIRONMENT PROTECTION

Recycle unwanted materials instead of disposing of them as waste. All tools, accessories and packaging should be sorted, taken to a recycling centre and disposed of in a manner which is compatible with the environment. When the product becomes completely unserviceable and requires disposal, drain any fluids (if applicable) into approved containers and dispose of the product and fluids according to local regulations.

Note: It is our policy to continually improve products and as such we reserve the right to alter data, specifications and component parts without prior notice.

Important: No Liability is accepted for incorrect use of this product.

Warranty: Guarantee is 12 months from purchase date, proof of which is required for any claim.

Sealey Group, Kempson Way, Suffolk Business Park, Bury St Edmunds, Suffolk. IP32 7AR



01284 757500



01284 703534



sales@sealey.co.uk



www.sealey.co.uk